

**Cutout Template**  
224 mm x 326 mm  
(8.8" x 12.85")

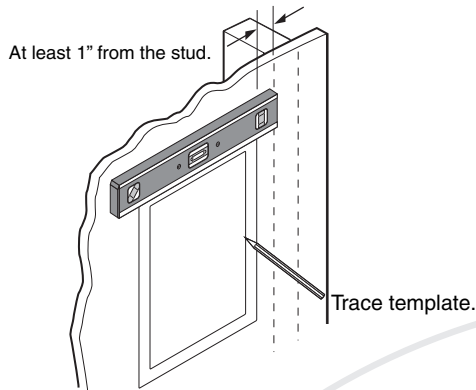
Paint Guard

# Extron SI 28W In-Wall Speaker

## User's Guide

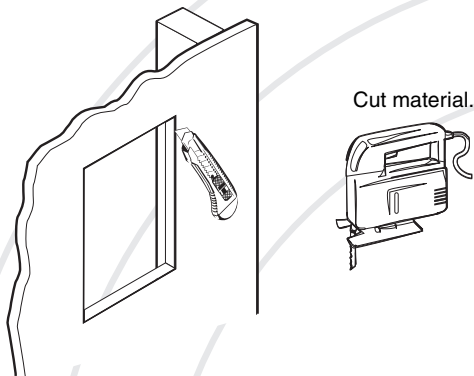
**1**

Determine speaker location. Leave at least 1" clearance from the edge of the speaker to the studs in all directions. Hold or tape template in location, make sure template is level. Trace along the inside of the template.



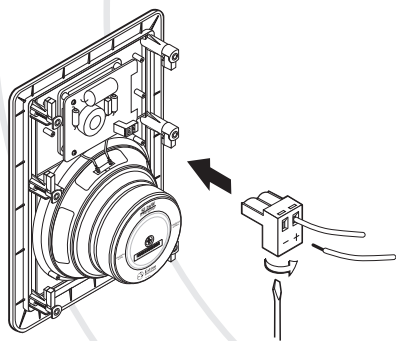
**2**

Carefully cut a hole along the inside of the traced line.



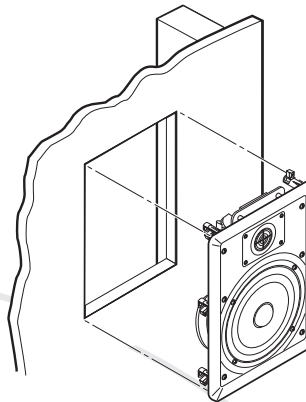
**3**

Attach the speaker wires to the 2-pole captive screw plug. Use red for the positive (+) wire and black for the negative (-) wire. Insert the 2-pole captive screw plug into the 2-pole connector on the back of the speaker.



**4**

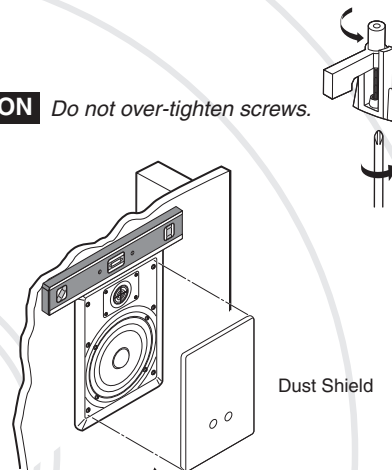
Insert the speaker into the wall opening. Loosen the six screws on the front baffle (counter clockwise) 1/2 turn. Then tighten the screws (clockwise) until the dog legs clamp the speaker to the wall.



**5**

Level speaker, position each wall clamp outward, and tighten each screw until snug. Install dust shield to protect the speaker during ongoing construction.

**CAUTION** Do not over-tighten screws.



**6**

Remove the dust shield, install the speaker grill.



### Specifications:

#### Acoustic & Electrical

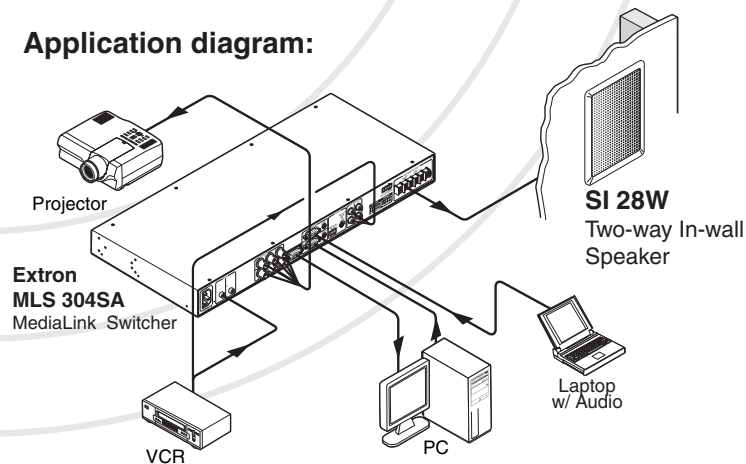
Speaker type.....	2-way in-wall speaker
Frequency range.....	30 Hz to 20 kHz, -10 dB, half space
Power capacity.....	70 W continuous program, 35 W continuous pink noise
Nominal sensitivity.....	89 dB SPL, 1 W, 1 m, half space
Nominal impedance.....	8 ohms
Crossover frequency.....	2.5 kHz
Woofer.....	8" (203 mm) polypropylene cone with moisture resistant coating
Tweeter.....	1" (25 mm) titanium dome

#### General

Temperature/humidity.....	Storage: -40 to +158 °F (-40 to +70 °C) / 10% to 90%, noncondensing Operating: +32 to +122 °F (0 to +50 °C) / 10% to 90%, noncondensing
Warranty .....	5 years parts and labor

NOTE: All nominal levels are at ±10%.  
NOTE: Specifications are subject to change without notice.

### Application diagram:



68-1102-01 Rev. A  
08 07

Print at 100% - Do Not "Fit to Paper".